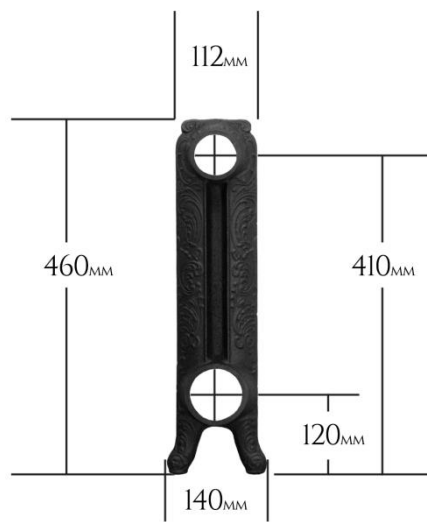




The Rococo Classique

Size Chart



RR2460

Sections Added	Total Length MM	BTUs @ ΔT60	WATTS @ ΔT60	BTUs @ ΔT50	WATTS @ ΔT50
1		433	127	338	99
2		867	254	676	199
3	265	1300	381	1014	289
4	343	1733	508	1352	398
5	420	2167	635	1690	497
6	495	2600	762	2028	596
7	572	3033	889	2366	696
8	649	3466	1016	2704	795
9	731	3896	1142	3042	895
10	810	4330	1269	3380	994
11	887	4763	1396	3718	1094
12	964	5196	1523	4056	1193
13	1041	5630	1650	4394	1292
14	1120	6063	1777	4732	1392
15	1197	6496	1904	5070	1491

B

Beaumont cast iron



RR2810

Sections Added	Total Length MM	BTUs @ $\Delta T60$	WATTS @ $\Delta T60$	BTUs @ $\Delta T50$	WATTS @ $\Delta T50$
1		720	211	562	165
2		1440	422	1124	331
3	260mm	2160	633	1686	496
4	330mm	2880	844	2248	661
5	400mm	3600	1055	2810	826
6	470mm	4320	1266	3372	992
7	540mm	5040	1477	3934	1157
8	610mm	5760	1688	4492	1321
9	680mm	6480	1899	5058	1488
10	750mm	7200	2110	5620	1653
11	830mm	7920	2312	6182	1818
12	900mm	8640	2532	6744	1984
13	970mm	9360	2743	7306	2149
14	1040mm	10080	2954	7868	2314
15	1110mm	10800	3165	8430	2479



Overview

The ROCOCO CLASSIQUE is a Beaumont exclusive design based on an 1890's French design. This cast iron radiator gives a touch of period elegance and an amazing feature in any room within your property. The narrow scrolled profile is ideal in hallways where widths can be tight. They offer exception output and the scroll work is crisp and detailed.

Burnishing is the optimum finish for the ROCOCO CLASSIQUE to accentuate the detailed scrollwork. Burnishing paste in silver, gold or copper is carefully applied by hand over a darker base coat. This is the same traditional method used by craftsmen throughout the ages.

The ROCOCO CLASSIQUE can be finished in a variety of colours – metallic, Farrow & Ball range, RAL colours or primed for onsite painting.

Because each radiator section is specially hand cast there may often be a slight variation in the length of each radiator once built (end bush to end bush), please allow for this in your pipework fittings.

RR2460

SECTION WIDTH = 77MM

WEIGHT = 5KG

RR2810

SECTION WIDTH = 72MM

WEIGHT = 9.5KG